

Electric Wok 5L
Owner's Handbook

TX-113-1

contempo

CONTENTS

IMPORTANT SAFETY INSTRUCTIONS	1
CARE AND CLEANING	5
CONTROLS AND FEATURES.....	6
UNPACKING.....	7
PLACEMENT	7
PREPARATION	7
OPERATION.....	8
SPECIFICATIONS.....	9
WARRANTY.....	10

IMPORTANT SAFETY INSTRUCTIONS

Please read these instructions carefully before using the appliance for the first time.

- Always use the appliance from a power outlet of the same voltage (A.C. only) marked on the appliance.
- The appliance plug includes an earthed pin and must be used with a power outlet with earthed connection.
- Always turn the power off at the power outlet before you insert or remove the plug. Remove by grasping the plug - do not pull on the cord.
- The appliance must only be used with the thermostat control probe provided.
- Turn the power off and remove the plug when the appliance is not in use and before cleaning.
- Do not use the appliance with an extension power board.
- Remove the thermostat control probe before cleaning the appliance.

Please keep your sales docket, including cash register receipt, in a safe place as the docket will prove the commencement of the period of this warranty. If you wish to make a claim specifically under this manufacturer's warranty, you will be required to provide proof of purchase, preferably your sales docket.

IMPORTANT SAFETY INSTRUCTIONS

- The appliance shall not be operated by means of an external timer or separate remote control system.
- Do not immerse the thermostat control probe or wok in water or any other liquid.
- Do not clean the unit in a dishwasher as it is not dishwasher safe.
- Do not clean with metal scouring pads.
- After cleaning the appliance, ensure that the thermostat control probe inlet area is completely dry before using again.
- If the supply cord is damaged, it must be replaced by the manufacturer or its service agent or a similarly qualified person in order to avoid a hazard.
- Do not let the power cord of the appliance hang over the edge of a table or bench top or touch any hot surface.
- If the cord set is damaged, it must be replaced by a special cord set available from the manufacturer or its service agent.
- Do not place the appliance on or near a hot gas flame, electric element or on a heated oven. Do not place on top of any other appliance.
- Do not use the appliance near flammable material such as curtains, draperies and wallpaper.
- Do not stand the appliance on a flammable material.
- For additional protection, it is recommended to use the appliance with a residual current device (safety switch) with a tripping current not exceeding 30mA in the power socket which supplies power to the appliance.
- Do not leave the power cord near the edge of a bench top where children may touch or pull it.
- Do not touch the surface of the appliance when in use as it is hot.

IMPORTANT SAFETY INSTRUCTIONS

- Keep the appliance and its cord out of reach of children.
- Do not move the appliance while switched on.
- This appliance is not suitable for use by persons (including children) who have limited physical, sensory or mental abilities, or by persons who have a lack of experience and/or lack of knowledge unless they are supervised by a person in charge for their security or receive instructions by them on how to use the appliance.
- Children should be supervised to ensure they do not play with the appliance.
- Cleaning and user maintenance shall not be made by children.
- Always switch the power off and unplug the cord while the appliance is NOT in use.
- Always operate the appliance on a flat, level surface.
- Do not use the appliance for any purpose other than its intended use.
- Do not leave the appliance unattended during use.
- Do not use outdoors.
- The use of accessories or attachments not supplied with the appliance is not recommended.
- Do not touch the cooking bowl - always use the handles.
- The cooking bowl will get hot during use and will remain hot for a period of time after use.
- Always use plastic, rubber or wooden utensils when cooking or serving. Metal utensils may damage the non-stick surface.
- Never over-fill the cooking bowl with ingredients and/or liquid.
- When using a plastic spatula, do not leave in the appliance when it is hot.

IMPORTANT SAFETY INSTRUCTIONS

- Do not use this appliance to defrost food.
- Always allow this appliance to cool before moving, cleaning or disconnecting the thermostat control probe.
- **WARNING:** Keep the appliance out of reach from young children, particularly during use and cool down.
- Disconnect mains power before inserting or removing the thermostat control probe.
- When removing the thermostat control probe, do not touch the metal temperature probe. It may be very hot.
- Avoid spillage of any liquid or food on the appliance connector.
- This appliance is intended to be used in household and similar applications such as:
 - staff kitchen areas in shops, offices and other working environments;
 - farm houses;
 - by clients in hotels, motels and other residential type environments;
 - bed and breakfast type environments.



CAUTION, Hot surface. The surface can be hot and should not be touched without taking care.

CARE AND CLEANING

Never clean the appliance with scourers, abrasive pads or chemicals.

The appliance components are not dishwasher safe.

Never use a knife or other metal utensil to remove food that has stuck to the cooking bowl. This may damage the non-stick surface of the bowl.

Disconnect the wok from mains power and ensure it has cooled before cleaning it.

Remove the control unit from the appliance.

CAUTION: The control unit probe may be hot. Avoid touching the probe or laying it on a heat-sensitive surface until it has cooled.

Cooking bowl

CAUTION: Never immerse any part of the cooking bowl.

- Wipe the cooking bowl with kitchen paper to remove any residue from the cooking process. If there are stubborn food deposits, pour a little cooking oil onto the bowl and leave it to soften the food before removing it.
- Wipe the cooking bowl with a cloth dampened with a dilute detergent solution.

Take care that no water enters the area where the control unit connects.

- Now wipe the cooking bowl with a damp cloth to clean off the detergent.
- Dry the bowl thoroughly.

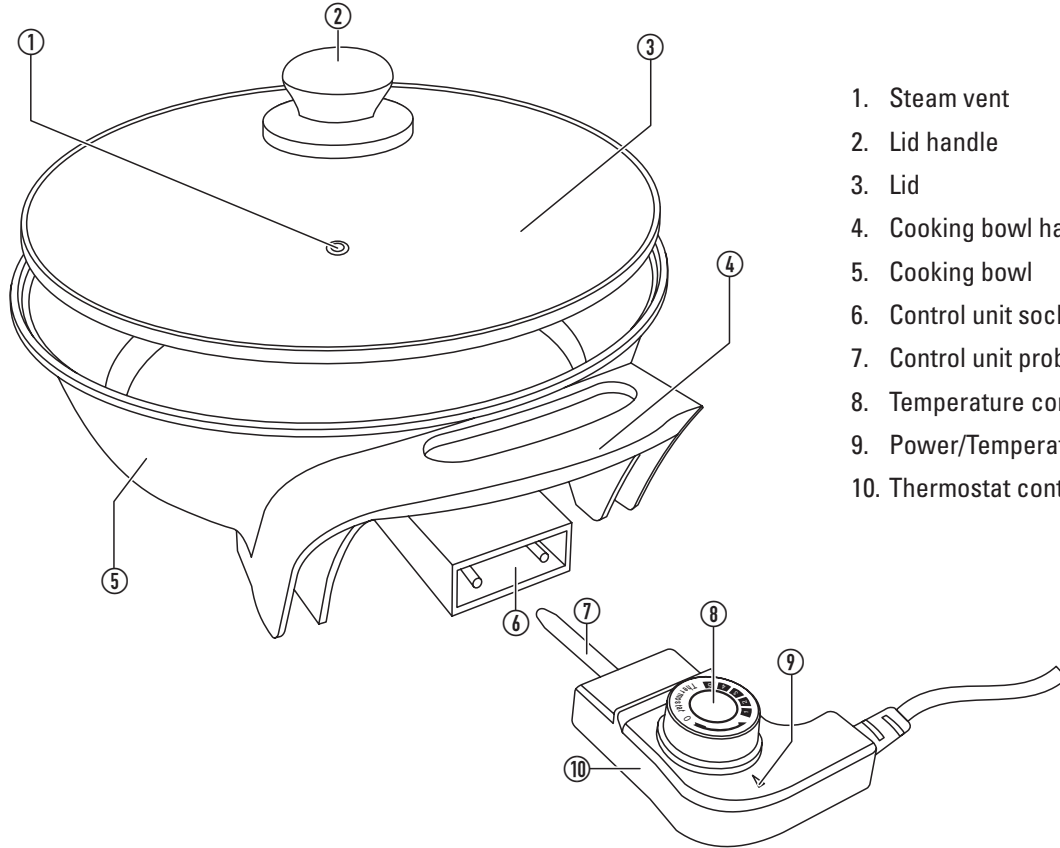
Lid

- Hand wash the lid in a mild detergent solution.
- Dry the lid thoroughly.

Thermostat control probe

- Wipe the control unit with a barely damp cloth.

CONTROLS AND FEATURES



- 1. Steam vent
- 2. Lid handle
- 3. Lid
- 4. Cooking bowl handle
- 5. Cooking bowl
- 6. Control unit socket
- 7. Control unit probe
- 8. Temperature control
- 9. Power/Temperature indicator
- 10. Thermostat control probe

UNPACKING

Unpack the electric wok from the carton.

Retain the carton and packing for future use. If you have to dispose of the carton and packing, please do so responsibly.

The carton should contain -

1 x TX-113-1 Electric wok with lid.

1 x Controller.

1 x Owner's handbook.

PLACEMENT

- Place the appliance securely on a level table or work-surface within easy reach of a power outlet.

Placement cautions

Ensure that the appliance is located out of the reach of children.

Never place the appliance under a cupboard or overhanging surface. Exposure to heat from the appliance may damage the surface or cause a fire hazard.

If the wok is standing on a heat-sensitive surface, a heat-proof mat will be necessary.

Ensure that no combustible items such as paper towels etc are placed near the appliance when operational.

Fat and oil may spray from the food while cooking. Choose a location where this will not be a problem.

PREPARATION

Which food items can be cooked?

The electric wok is perfect for cooking any traditional stir-fried wok dish such as fried rice and noodles, stir fried meat, fish, shrimp and vegetables.

The wok can also be used to boil ingredients and make soups.

Preparing food items

- For stir-frying, prepare food according to your recipe or traditional method, generally cutting meat, fish and vegetables into even sized strips that will cook quickly.
- Whole cuts of meat can be cooked if they will fit comfortably into the cooking bowl.

OPERATION

First use

Before cooking food in your wok you should clean the cooking bowl to remove any manufacturing residue.

- Follow the instructions in the 'Care and cleaning' section to clean the appliance before use.
- Wipe the cooking bowl with a little oil or butter before using the appliance for the first time.

NOTE: When first used there may be a little smoke and a hot smell from the appliance. This is normal and will subside with further use.

Assembly

- Check that the thermostat control probe is disconnected from mains power and the temperature control is set to the '0' (Off) position.

The power/temperature indicator is the pointer for the temperature control.

- Push the thermostat control probe fully into the socket under the cooking bowl.
- Connect the power cable to a mains outlet.

Pre-heating the wok

Always pre-heat the wok before use.

- Set the temperature control to a heat setting between 1 (minimum) and 5 (maximum).

The power/temperature indicator will switch off when the cooking bowl reaches working temperature. Once the bowl is heated, the power/temperature indicator will switch on and off as the thermostat maintains the temperature.

Cooking in the wok

The electric wok may be used as you would use a conventional wok. In general:

- Prepare all ingredients in advance of cooking.
- Use a high-temperature oil when stir-frying dishes and set the temperature to a high setting.
- Brown meat cuts on a high temperature in a little oil for a few minutes, then lower the temperature and cover until the meat is cooked through. Add stock if required.
- Soups, vegetables and pot roasts may be cooked in water or stock with the cover in place.
- Vegetables may be steamed in a bamboo basket over hot water or stock.
- Always check that food is fully cooked before serving.

AFTER USE

- When you have finished cooking, set the temperature control to the '0' (Off) position and disconnect mains power.
- Unplug the thermostat control probe from the cooking bowl and set it aside in a safe place away from children and pets.

The control unit probe will be hot. Avoid touching the probe or laying it on a heat-sensitive surface.

Follow the instructions in the Care and Cleaning section to clean the appliance.

Move the appliance to a position which is out of reach of children and pets.

SPECIFICATIONS

Power supply 220 - 240 V~, 50-60 Hz

Power consumption..... 1250-1500 W

IMPORTANT: THIS APPLIANCE MUST BE EARTHED.



E285

WARRANTY

1. Our goods come with guarantees that cannot be excluded under the Australian Consumer Law. You are entitled to a replacement or refund for a major failure and for compensation for any other reasonably foreseeable loss or damage. You are also entitled to have the goods repaired or replaced if the goods fail to be of acceptable quality and the failure does not amount to a major failure. Where a failure does not amount to a major failure, BIG W is entitled to choose between providing you with a repair, replacement or refund. To obtain compensation, you would need to provide documentary evidence of the loss or damage suffered, and documentary evidence that such loss or damage was a reasonably foreseeable consequence of a failure by BIG W to comply with a consumer guarantee under the Australian Consumer Law. Such evidence may include photographs, statutory declarations, receipts or reports (eg from your doctor), depending on the loss or damage.
2. In addition to all rights and remedies to which you may be entitled under the Competition and Consumer Act 2010 (Commonwealth), and any other relevant legislation, the manufacturer warrants this product to be free from defects in materials or workmanship for a period of 24 months from the date of purchase.
3. In order to claim under this warranty you will need to bring the product to any BIG W store, along with proof of purchase (typically this will be a receipt). Any cost incurred by you in bringing the product to the service desk will be borne by you. We will then, at our option, either repair or replace the product, or refund your money and take back the product – in accordance with our Returns Policy, a copy of which is available at our return desk
4. Our liability under this manufacturer's warranty is subject to us being satisfied that a defect was caused by defective workmanship or materials, and was not caused by or substantially contributed to by other factors, or circumstances beyond our control, including (but not limited to) defective installation, maintenance or repair, alteration or modification of the product in a manner not recommended by the manufacturers or any neglect, misuse or excessive use.
5. The benefits conferred by this manufacturer's warranty are in addition to all rights and remedies conveyed by the Competition and Consumer Act 2010 (Commonwealth), and any other statutory rights to which you may already be entitled, and this warranty does not exclude, restrict or modify any such rights or remedies that are implied by law.
6. This warranty is provided by BIG W of 1 Woolworths Way, Bella Vista NSW 2153, Phone: 1300 244 999.

contempo

Made for Big W
1 Woolworths Way
Bella Vista NSW
2153 Australia

Made in China

CONTEMPO TX-113-1 V0.8