

**contempo**™

# Owner's Handbook

EM9P022AX

Microwave

**CONTENTS**

IMPORTANT SAFETY INSTRUCTIONS .....	1	OPERATION.....	11	ADVANCED OPERATION.....	14
CARE & CLEANING .....	6	Getting started .....	11	Auto menu .....	14
Main body .....	6	Setting the clock.....	11	Multi-stage cooking .....	14
Accessories.....	6	Express cooking.....	11	Set the first cooking process.....	14
UNPACKING.....	6	One touch start .....	11	Set the second cooking process .....	14
BEFORE YOU START .....	7	Basic cooking.....	12	SPECIAL FEATURES.....	15
Location for your microwave oven.....	7	To pause cooking.....	12	Child lock.....	15
ASSEMBLING THE OVEN .....	7	To stop cooking.....	12	Kitchen Timer .....	15
CONTROLS AND FEATURES.....	8	Adding time during cooking.....	12	Memory presets.....	15
MICROWAVE COOKING BASICS.....	10	When cooking has ended .....	12	TROUBLESHOOTING .....	16
What can I cook?.....	10	Weight defrost.....	13	SPECIFICATIONS.....	16
What should not be cooked?.....	10	Time defrost.....	13	WARRANTY.....	17
Suitable containers .....	10				
Unsuitable containers.....	10				

Please keep your sales docket, including cash register receipt, in a safe place as the docket will prove the commencement of the period of this warranty. If you wish to make a claim specifically under this manufacturer's warranty, you will be required to provide proof of purchase, preferably your sales docket.

## **IMPORTANT SAFETY INSTRUCTIONS**

Please read these instructions carefully before using the appliance for the first time.

- **WARNING:** If the door or door seals are damaged, the oven must not be operated until it has been repaired by a competent person.
- **Warning:** It is hazardous for anyone other than a competent person to carry out any service or repair operation that involves the removal of a cover which gives protection against exposure to microwave energy.
- **Warning:** Liquids and other foods must not be heated in sealed containers since they are liable to explode.
- The interior lamp is not user replaceable.
- Always use the appliance from a power outlet of the same voltage (A.C. only) marked on the appliance.
- This appliance includes an earthed pin and must be used with a power outlet with earthed connection.
- This appliance is intended for household use only.
- Always turn the power off at the power outlet before you insert or remove a plug. Remove by grasping the plug - do not pull on the cord.
- Turn the power off and remove the plug when the appliance is not in use and before cleaning.
- Do not use the appliance with an extension power board.
- Only use utensils suitable for use in microwave ovens.
- The oven should be cleaned regularly and any food deposits should be removed.

**IMPORTANT SAFETY INSTRUCTIONS**

- The microwave oven is intended for heating food and beverages. Drying of food or clothing and heating of warming pads, slippers, sponges, damp cloth and similar may lead to risk of injury, ignition or fire.
- When heating food in plastic or paper containers, keep an eye on the oven due to the possibility of ignition.
- This appliance is intended for household use only.
- If smoke is observed, switch off or unplug the appliance and keep the door closed in order to stifle any flames.
- Do not use the oven cavity for storage purposes. Do not store items such as bread, cookies, etc. inside the oven.
- Do not overcook food.
- Remove wire twist-ties and metal handles from paper or plastic containers/bags before placing them in the oven.
- Do not operate the microwave oven empty. This may damage the oven.
- Eggs in the shell and whole hard-boiled eggs should not be heated in microwave ovens since they may explode, even after microwave heating has ended.
- Use this appliance only for its intended uses as described in manual. Do not use corrosive chemicals or vapors in this appliance. This oven is especially designed to heat. It is not designed for industrial or laboratory use.
- If the supply cord is damaged, it must be replaced by the manufacturer, its service agent or similarly qualified persons in order to avoid a hazard.
- Do not store or use this appliance outdoors.

## IMPORTANT SAFETY INSTRUCTIONS

- Do not use this oven near water, in a wet basement or near a swimming pool.
- The temperature of accessible surfaces may be high when the appliance is operating. The surfaces are liable to get hot during use. Keep the power cord away from heated surfaces, and do not cover any vents on the oven.
- Use the appliance on a stable heat-resistant surface.
- Do not use attachments or accessories not recommended by the manufacturer.
- Never leave the microwave oven unattended when it is operational.
- Failure to maintain the oven in a clean condition could lead to deterioration of the oven surface. This could adversely affect the life of the appliance and possibly result in a hazardous situation.
- Do not let the cord hang over the edge of a table or counter.
- In order to avoid burns, the contents of feeding bottles and baby food jars shall be stirred or shaken and the temperature checked before consumption.
- Use oven gloves or mitts to handle hot dishes or plates of food.
- Microwave heating of beverages can result in delayed eruptive boiling, therefore care must be taken when handling the container.
- This appliance can be used by children aged from 8 years and above and persons with reduced physical, sensory or mental capabilities or lack of experience and knowledge if they have been given supervision or instruction concerning use of the appliance in a safe way and understand the hazards involved.

**IMPORTANT SAFETY INSTRUCTIONS**

- Children should be supervised to ensure that they do not play with the appliance.
- Cleaning and user maintenance shall not be made by children unless they are aged from 8 years and above and supervised.
- Keep the appliance and its cord out of reach of children less than 8 years.
- This appliance is not intended to be operated by means of an external timer or separate remote-control system.
- The microwave oven shall not be placed in a cabinet unless it has been tested in a cabinet.
- Install or locate this oven only in accordance with the installation instructions provided.
- The rear surface of the appliance shall be placed against a wall.
- The door or the outer surface may get hot when the appliance is operating.
- If you use plastic film when re-heating or cooking food use only film designed for microwave ovens and ensure that the film does not touch the food. If necessary, prick the film all over to allow steam to escape.
- Use your microwave oven only to heat food.
- Do not heat oil for frying, or try to fry food in the microwave oven. The oil could catch fire.
- If covered containers are used, the covers should be loose. Move such containers to and from the oven with care as food may splash and the lid may fall.
- Items such as potatoes, sausages and chestnuts must be peeled or pierced thoroughly before cooking.
- The oven must be operated with the door closed. Never jam or disable the safety interlocks on the door.

**IMPORTANT SAFETY INSTRUCTIONS**

- Do not use metal utensils or aluminium foil.
- The appliance shall not be cleaned with a steam cleaner.
- Position the unit away from TV and radio receivers and antennas.
- This appliance is intended to be used in household and similar applications such as :
  - Staff kitchen areas in shops, offices and other working environments;
  - Farm houses;
  - By clients in hotels, motels and other residential type environments;
  - Bed and breakfast type environments.

### CARE & CLEANING

Disconnect the appliance from mains power and ensure it has cooled before cleaning it.

Never clean the appliance with scourers, abrasive pads or chemicals.

Do not use harsh abrasive cleaners or sharp metal scrapers to clean the oven door glass since they can scratch the surface, which may result in shattering of the glass.

#### Main body

- Clean the cavity and exterior of the oven with a slightly damp cloth. The door frame and seal and neighbouring parts must be cleaned carefully with a damp cloth when they are dirty.

**Cleaning Tip:** For easier cleaning of the cavity walls that the food cooked can touch: Place half a lemon in a bowl, add 300ml (1/2 pint) water and heat on 100% microwave power for 10 minutes. Wipe the oven clean using a soft, dry cloth.

#### Accessories

- Clean the accessories by hand-washing in mild, soapy water.

### UNPACKING

Unpack the microwave oven and accessories from the carton.

Retain the carton and packing for future use. If you have to dispose of the carton and packing, please do so responsibly.

The carton should contain -

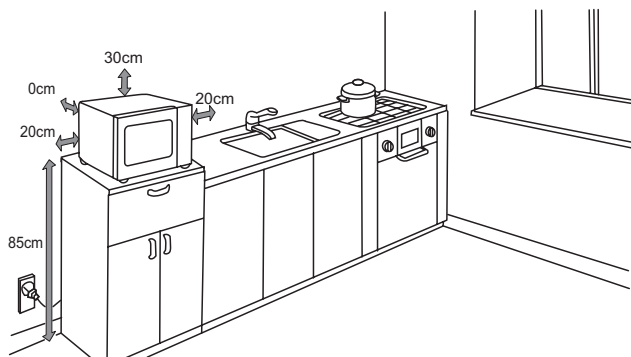
- 1 x EM9P022AX Microwave oven.
- 1 x Glass plate.
- 1 x Owner's handbook.



## BEFORE YOU START

### Location for your microwave oven

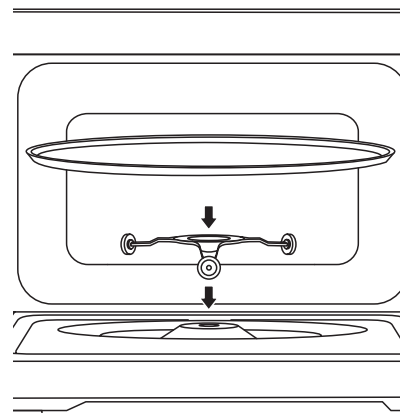
- Choose a flat, stable location within reach of a mains power outlet.
- Check that the position you have chosen has the clearances indicated around the microwave oven.



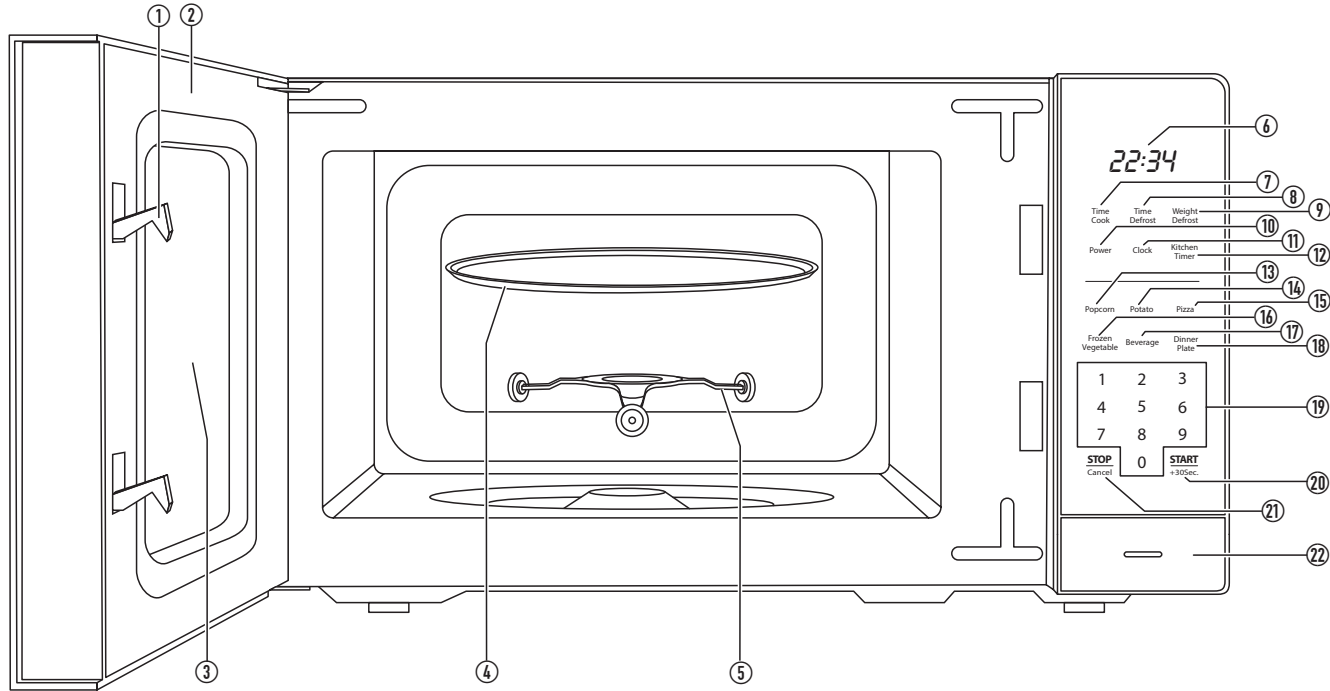
## ASSEMBLING THE OVEN

- Check that the power cord is disconnected.
- Press the door release button to open the door.
- Remove any protective packing and film.
- Locate the turntable drive shaft. This should be taped in position on the base of the oven. Remove the tape and leave the drive shaft in place. If the shaft has been removed, fit it in position as shown.
- Place the glass turntable over the drive shaft in the sequence shown.

*Your microwave oven is ready for use.*



### CONTROLS AND FEATURES



- 1. Door catches
- 2. Door
- 3. Window

- 4. Glass plate
- 5. Turntable drive shaft
- 6. Display

## CONTROLS AND FEATURES

7. Time cook  
*Press to set cooking time. Enter time from number pad.*
8. Time Defrost  
*Press to set defrost time. Enter time from number pad.*
9. Weight Defrost  
*Press to set defrost weight. Enter weight from number pad.*
10. Power Level  
*Press to set power level. Numbers 1-10 select power level.*
11. Clock Settings  
*Press to set clock. Enter time from number pad.*
12. Kitchen Timer  
*Press to set a kitchen event timer. Enter time from number pad.*
13. Popcorn  
*Quick cook for popcorn. Press repeatedly to enter the weight of popcorn.*
14. Potato  
*Quick cook for potatoes. Press repeatedly to enter the number of potatoes.*
15. Pizza  
*Quick cook for pizza. Press repeatedly to enter the pizza weight.*
16. Frozen Vegetable  
*Quick cook for frozen vegetables. Press repeatedly to enter the weight of the vegetables.*
17. Beverage  
*Quick cook for hot drinks. Press repeatedly to enter the number of cups.*
18. Dinner Plate  
*Quick cook for reheating a plate of food. Press repeatedly to enter the food weight.*
19. Number Keypad  
*Enter times and weights.  
From stop, press 1-6 to quick-start cooking at maximum power for 1 to 6 minutes.*
20. Start/+30 seconds  
*Press to start any cooking process.  
From stop, press to quick-start cooking at maximum power for 30 seconds.  
Press repeatedly to add 30 seconds cooking time.*
21. Pause/Stop  
*Press to pause or stop the cooking process.*
22. Door release button

## MICROWAVE COOKING BASICS

### What can I cook?

When used correctly and carefully your microwave oven is a fast, efficient method of cooking fresh fish, raw vegetables and convenience meals, for defrosting frozen food or reheating chilled food.

A good microwave cookbook is helpful for recipe ideas.

### What should not be cooked?

A microwave oven should not be used for cooking eggs or nuts in shells or food in sealed packaging. The intense heat may cause the food to explode.

Meat can be defrosted in a microwave oven, but should always be cooked immediately after defrosting in a conventional oven or grill to ensure it is cooked through.

### Suitable containers

**CAUTION:** Never use a container that is cracked, chipped or has a metallic trim. Never cook in a sealed container.

Browning dish (Follow manufacturer's instructions and space at least 5mm above the turntable).

Microwave-safe dinnerware.

Glassware (Heat-resistant oven glassware only).

Oven cooking bags (Follow manufacturer's instructions)

Paper towels, parchment paper, wax paper (OK to use as a cover for short-term cooking).

Plastic (Microwave safe only).

Plastic film wrap (Microwave-safe only. Do not allow the wrap to touch food).

Thermometers (Microwave safe only).

### Unsuitable containers

Metal or foil including metal food cartons.

Metal twist ties.

Paper plates and cups, paper bags.

Plastic foam.

Wood.

## OPERATION

### Getting started

- Plug the oven in.  
*The screen will display.*



### Setting the clock

The clock is a 24 hour clock.

To enter a time of 8:30 am:

- Press **Clock** once.  
*The first digit will flash.*
- Press the **Numbers** to set the time, one digit at a time.

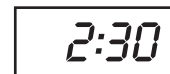


- Press **CLOCK** again.  
*The time is set.*

### Express cooking

Express cooking enables you to cook at full power for times in multiples of 30 seconds.

- Place the food to be cooked on the turntable.
- Press **START/+30Sec** repeatedly until the cook time you want is displayed.



*In the example above, pressing **START/+30Sec** 5 times has set a cooking time of 2 minutes 30 seconds at full power.*

- During the cooking cycle, you can increase the remaining time by further presses of **START/+30Sec**.

Express cooking is a very good way of rapidly heating small portions of food, or easily adding a small amount of cooking time to finish dishes that are slightly undercooked.

### One touch start

Quick start cooking can also be set with numbers 1 to 6 on the number pad for cook times at full power from 1 minute to 6 minutes in 1 minute steps.

- Press a **Number** between 1 and 6 on the number pad.



*5 selected in the example.*

*Cooking will start immediately for the time period selected.*

### OPERATION

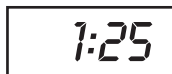
#### Basic cooking

Basic cooking enables you to choose a cooking time and set the cooking power. Cook time must be entered before power level when setting Basic cooking.

- Press the door release button and open the door.
- Place the food in a suitable container, centrally within the rim of the turntable. Close the door.
- Press **Time Cook**.

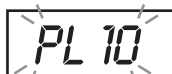


- Press the **Numbers** to enter the cook time.



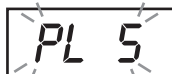
*1 minute 25 seconds in the example.*

- Press **Power**.



*PL 10 (Power level 10, maximum power) will flash.*

- If you want to change the power level, press the **Numbers** to enter a power level between 1 and 10.



*Power level 5 in the example.*

- Press **START/+30Sec** to start cooking.  
*The oven will commence cooking. The clock displays the remaining time left for the cooking program.*

#### To pause cooking

- Open the door or press **STOP/Cancel** to pause and interrupt the cooking process.  
*The cooking process will be interrupted.*
- To continue cooking, close the door if necessary and press **START/+30Sec**.

#### To stop cooking

- To stop cooking before the end of the cooking process
- Press **STOP/Cancel** twice.  
*The cooking process will end and any cooking settings will be cleared.*

#### Adding time during cooking

During normal cooking and defrosting, you can extend the cooking time by repeatedly pressing **START/+30Sec**.

Each press will extend the cook time by 30 seconds.

You cannot add time while using Defrost by Weight and Auto Cook programs.

#### When cooking has ended

The oven will beep 5 times and the clock time restores.

- Open the door and remove the food.
- Close the door.


## OPERATION

### Weight defrost

- Weight defrost will defrost food at low microwave power for a time calculated from the weight of the food.

- Press **Weight Defrost**.

*dEF1 will be displayed.*



- Press the **Numbers** to enter the weight of the food up to a maximum of 2kg (2000g).

*850 grams in the example.*



- Press **START/+30Sec** to start cooking.

*The defrosting process will start. The time and power required will be automatically set.*

*The defrost time remaining will be displayed during the defrosting process.*

### During defrosting

It is good practice to periodically check food during the defrosting process, turning it if necessary.

### After defrosting

- Open the oven door. Remove the food and check that it has fully defrosted. If the food is partially defrosted, replace it in the oven and set a further defrosting time using the **Time Defrost** option.

### Time defrost

- Time defrost will defrost food at low microwave power for a time period that you set.

- Press **Time Defrost**.

*dEF2 will be displayed.*



- Press the **Numbers** to enter the defrost time you require.

*9 minutes in the example .*



- Press **START/+30Sec** to start cooking.

*The defrosting process will start. The power required will be automatically set.*

*The defrost time remaining will be displayed during the defrosting process.*

### During defrosting

It is good practice to periodically check food during the defrosting process, turning it if necessary.

### After defrosting

- Open the oven door. Remove the food and check that it has fully defrosted. If the food is partially defrosted, replace it in the oven and set a further defrosting time.

### ADVANCED OPERATION

#### Auto menu

Your oven can calculate the cooking time of various foods. Just select the program from the table below and enter the weight. If, after the program has ended the food is underdone, use the Basic Cooking procedure for a short time to complete the process.

Suggested food	Number of clicks		
	1	2	3
Microwave popcorn (weight)	50g	100g	-
Potato (number of potatoes)	1	2	3
Pizza (weight)	200g	400g	-
Frozen vegetables (weight)	200g	300g	400g
Beverage (number of cups)	1	2	3
Dinner plate (reheat, weight of food)	200g	400g	-

- Place the food to be cooked on the turntable.
- Press the **Auto Menu** option for the food type you are cooking repeatedly to select the weight or number of cooking items from the table above.

3 00

*Pressing Frozen Vegetables twice in this example will cook 300g of frozen vegetables.*

- Press **START/+30Sec** to start cooking.  
*The cooking process will start.  
The cook time remaining will be displayed.*

#### Multi-stage cooking

You can combine two cooking processes in a multi-stage program, cooking food for a period at one power setting and then finish with another power setting. You can for example:

- Cook food and then keep it warm by setting a low power for the second process.
- Defrost food and then cook it in one combined process.

After the first stage, the next stage will automatically start.

**NOTE:** If you are defrosting food, this must always be the first process.

#### Set the first cooking process

- Follow the instructions in the previous pages to set the first cooking process.  
*This may be Weight Defrost, Time Defrost or Basic Cooking.*

#### Set the second cooking process

- Before pressing **START/+30Sec** to begin cooking, enter the second cooking process.  
*This will be Basic Cooking, either to cook after defrosting or to keep warm at a lower power*
- Press **START/+30Sec** to begin cooking.  
*The first stage of cooking will begin.  
When the first stage of cooking is complete, the second stage will start automatically.*

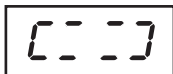


## SPECIAL FEATURES

### Child lock

The child lock locks all controls to prevent operation by children.

- To set the child lock, press and hold **STOP/Cancel** for about three seconds.



*A beep sounds and the LOCK indicator appears.*

When the child lock is set all oven functions will be disabled including the clock.

- To cancel the child lock, press and hold **STOP/Cancel** until the beep sounds and the lock indicator disappears.

### Kitchen Timer

The kitchen timer can be used to time other cooking process.

- Press **Kitchen Timer**.

*The time display will flash 00:00.*



- Press the **Numbers** to set the time, one digit at a time.

*In the example, the timer is set for 20 minutes.*




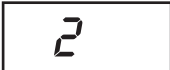

- Press **START/+30Sec** to start the timer.

*When the timer period expires, the oven will beep five times.*

## SPECIAL FEATURES

### Memory presets

Frequently used cooking settings can be stored as memory presets for quick recall if required. Three presets are available.

- To store a memory preset, press '0' on the keypad (memory) repeatedly.  
*The three memory locations will be displayed: 1, 2 and 3 (2 in the example).*
- 
- When the preset you want to save is displayed, continue to set the cooking process, time etc that you want to save as a preset.  
*This can be basic cooking or multi-cooking etc.*
  - Press **START/+30Sec**.  
*The preset number will be displayed again to confirm.*
- 
- Press **START/+30Sec** to start the cooking process and store the preset for future use.
  - To recall a preset, press '0' on the keypad (memory) repeatedly.  
*The three preset memory numbers will be displayed: 1, 2 and 3 (3 in the example).*
- 
- When the preset number you want to recall is displayed, press **START/+30Sec**.
  - The preset settings will be recalled and cooking will start.

NOTE: Preset settings will be lost if power is disconnected or if there is a power cut.

### TROUBLESHOOTING

The oven fails to operate or will not respond to commands	The oven may not be plugged in securely.	Check that the oven is plugged in securely. If it is not, unplug from the outlet, wait 10 seconds and plug it in again securely.
	A fuse may be blown.	Check for a blown fuse or a tripped circuit breaker. If these are intact, test the outlet with another appliance.
	The child lock may be set.	Disable the child lock.
	The oven door may be open.	Make sure that the oven door is closed fully and securely.
Steam accumulates on the door and hot air emits from the vents.	In cooking, steam may emit from the food and accumulate on the door etc.	This is normal.

### SPECIFICATIONS

Mains Supply: .....230-240V AC ~ 50 Hz, 1300-1400W

Microwave Output: ..... 900W

Outside Dimensions (H x W x D):.....475 x 340 x 275 mm

Oven Capacity:..... 21.6 Litres

Turntable diameter:.....288 mm

Frequency:.....2.450 GHz

Net Weight: ..... 12.7 kg

THIS APPLIANCE MUST BE EARTHED.



E285

## WARRANTY

1. Our goods come with guarantees that cannot be excluded under the Australian Consumer Law. You are entitled to a replacement or refund for a major failure and for compensation for any other reasonably foreseeable loss or damage. You are also entitled to have the goods repaired or replaced if the goods fail to be of acceptable quality and the failure does not amount to a major failure. Where a failure does not amount to a major failure, BIG W is entitled to choose between providing you with a repair, replacement or refund. To obtain compensation, you would need to provide documentary evidence of the loss or damage suffered, and documentary evidence that such loss or damage was a reasonably foreseeable consequence of a failure by BIG W to comply with a consumer guarantee under the Australian Consumer Law. Such evidence may include photographs, statutory declarations, receipts or reports (eg from your doctor), depending on the loss or damage.
2. In addition to all rights and remedies to which you may be entitled under the Competition and Consumer Act 2010 (Commonwealth) and any other relevant legislation, the manufacturer warrants this product to be free from defects in materials or workmanship for a period of 12 months from the date of purchase.
3. In order to claim under this warranty you will need to bring the product to any BIG W store, along with proof of purchase (typically this will be a receipt). Any cost incurred by you in bringing the product to the service desk will be borne by you. We will then, at our option, either repair or replace the product, or refund your money and take back the product – in accordance with our Returns Policy, a copy of which is available at our return desk
4. Our liability under this manufacturer's warranty is subject to us being satisfied that a defect was caused by defective workmanship or materials, and was not caused by or substantially contributed to by other factors, or circumstances beyond our control, including (but not limited to) defective installation, maintenance or repair, alteration or modification of the product in a manner not recommended by the manufacturers or any neglect, misuse or excessive use.
5. The benefits conferred by this manufacturer's warranty are in addition to all rights and remedies conveyed by the Competition and Consumer Act 2010 (Commonwealth), and any other statutory rights to which you may already be entitled, and this warranty does not exclude, restrict or modify any such rights or remedies that are implied by law.
6. This warranty is provided by BIG W of 1 Woolworths Way, Bella Vista NSW 2153, Phone: 1300 244 999.

**contempo™**

**Made for Big W**  
1 Woolworths Way  
Bella Vista NSW  
2153 Australia

Made in China

CONTEMPO EM9P022AX V0.3